



Bid Notice Abstract

Request for Quotation (RFQ)

Reference Number 10290845
Procuring Entity CARLOS HILADO MEMORIAL STATE UNIVERSITY
Title Procurement of Computer Tables and Chairs for the BSIS Computer Laboratories at Talisay Campus
Area of Delivery Negros Occidental

Solicitation Number:	RFQ 23-559	Status	Pending
Trade Agreement:	Implementing Rules and Regulations	Associated Components	1
Procurement Mode:	Negotiated Procurement - Small Value Procurement (Sec. 53.9)	Bid Supplements	0
Classification:	Goods	Document Request List	0
Category:	Furniture	Date Published	08/11/2023
Approved Budget for the Contract:	PHP 516,000.00	Last Updated / Time	07/11/2023 18:38 PM
Delivery Period:	20 Day/s	Closing Date / Time	13/11/2023 09:00 AM
Client Agency:			
Contact Person:	Rowena De la Vida Prado Administrative Assistant II Mabini Street Talisay City Negros Occidental Philippines 6115 63-34-7120005 Ext.142 63-939-9296624 bac.sec@chmsu.edu.ph		

Description

Republic of the Philippines
 CARLOS HILADO MEMORIAL STATE UNIVERSITY
 Talisay City, Negros Occidental
 Telephone Number: (0939) 929 6624
 bac.sec@chmsu.edu.ph

REQUEST FOR QUOTATION

Date: NOVEMBER 06, 2023
 Quotation No. 23-559

Please quote your lowest price on the item/s listed below, stating the shortest time of delivery and submit your quotation duly signed by your representative not later than _____ in the return envelope attached herewith.

DR. ANDREW EUSEBIO S.TAN
 BAC Chairman

NOTE:

1. ALL ENTRIES MUST BE TYPEWRITTEN
2. DELIVERY PERIOD WITHIN 20 CALENDAR DAYS
3. WARRANTY SHALL BE FOR A PERIOD OF SIX (6) MONTHS FOR SUPPLIES & MATERIALS, ONE (1) YEAR FOR EQUIPMENT, FROM DATE OF ACCEPTANCE BY THE PROCURING ENTITY
4. PRICE VALIDITY SHALL BE FOR A PERIOD OF _____ CALENDAR DAYS

5. G-EPS REGISTRATION CERTIFICATE SHALL BE ATTACHED UPON SUBMISSION OF THE QUOTATION
 6. BIDDERS SHALL SUBMIT ORIGINAL BROCHURES SHOWING CERTIFICATIONS OF THE PRODUCT BEING OFFERED
 ITEM ITEM & DESCRIPTION QTY. UNIT UNIT PRICE TOTAL PRICE
 NO.

1 FABRICATION AND INSTALLATION OF COMPUTER TABLE 10 lot

Specifications:

- High Pressure Laminated Sheets (HPL) - Table Top
- High Pressure Laminated Sheets (HPL) - Computer Table Main Panels
- High Pressure Laminated Sheets (HPL) - Computer Table Partition
- High Pressure Laminated Sheets (HPL) - Ttable Main Panels
- 2" Ø Hole Cable and Electrical Wiring
- with rubber gourmet

TOTAL

2 OFFICE CHAIRS 72 pcs

- Mesh medium back with armrest and BIFMA
- Gaslift with metal chrome frame
- Color: Mesh Black

TOTAL

*****Nothing Follows*****

ITEM NO. 1= PHP 300,000.00

ITEM NO. 2= PHP 216,000.00

TOTAL ABC =Php 516,000.00

PROCUREMENT OF COMPUTER TABLES AND CHAIRS FOR BSIS COMPUTER LABORATORIES USE- TALISAY/N. MONDERO

PR# 23-600-1023 10-23-23

INCOME 402-164-23-10 10-18-23

Line Items

Item No.	Product/Service Name	Description	Quantity	UOM	Budget (PHP)
1	Fabrication and Installation of Computer Table	Specifications: - High Pressure Laminated Sheets (HPL) - Table Top - High Pressure Laminated Sheets (HPL) - Computer Table Main Panels - High Pressure Laminated Sheets (HPL) - Computer Table Partition - High Pressure Lamin	10	Lot	300,000.00
2	OFFICE CHAIRS	Mesh medium back with armrest and BIFMA - Gaslift with metal chrome frame - Color: Mesh Black	72	Piece	216,000.00

Created by Rowena De la Vida Prado

Date Created 07/11/2023

The PhilGEPS team is not responsible for any typographical errors or misinformation presented in the system. PhilGEPS only displays information provided for by its clients, and any queries regarding the postings should be directed to the contact person/s of the concerned party.



Republic of the Philippines
CARLOS HILADO MEMORIAL STATE UNIVERSITY
 Talisay City, Negros Occidental
 Telephone Number: (0939) 929 6624
bac_sec@chmsc.edu.ph

REQUEST FOR QUOTATION

Date: NOVEMBER 06, 2023
 Quotation No. 23-559

Please quote your lowest price on the item/s listed below, stating the shortest time of delivery and submit your quotation duly signed by your representative not later than _____ in the return envelope attached herewith.

DR. ANDREW EUSEBIO S.TAN
 BAC Chairman

NOTE:

1. ALL ENTRIES MUST BE TYPEWRITTEN
2. DELIVERY PERIOD WITHIN 20 CALENDAR DAYS
3. WARRANTY SHALL BE FOR A PERIOD OF SIX (6) MONTHS FOR SUPPLIES & MATERIALS, ONE (1) YEAR FOR EQUIPMENT, FROM DATE OF ACCEPTANCE BY THE PROCURING ENTITY
4. PRICE VALIDITY SHALL BE FOR A PERIOD OF _____ CALENDAR DAYS
5. G-EPS REGISTRATION CERTIFICATE SHALL BE ATTACHED UPON SUBMISSION OF THE QUOTATION
6. BIDDERS SHALL SUBMIT ORIGINAL BROCHURES SHOWING CERTIFICATIONS OF THE PRODUCT BEING OFFERED

ITEM NO.	ITEM & DESCRIPTION	QTY.	UNIT	UNIT PRICE	TOTAL PRICE
1	FABRICATION AND INSTALLATION OF COMPUTER TABLE	10	lot		
	Specifications:				
	- High Pressure Laminated Sheets (HPL) - Table Top				
	- High Pressure Laminated Sheets (HPL) - Computer Table Main Panels				
	- High Pressure Laminated Sheets (HPL) - Computer Table Partition				
	- High Pressure Laminated Sheets (HPL) - Ttable Main Panels				
	- 2" Ø Hole Cable and Electrical Wiring				
	- with rubber gourmet				
	TOTAL				
2	OFFICE CHAIRS	72	pcs		
	- Mesh medium back with armrest and BIFMA				
	- Gaslift with metal chrome frame				
	- Color: Mesh Black				
	TOTAL				
	*****Nothing Follows*****				
	ITEM NO. 1= PHP 300,000.00				
	ITEM NO. 2= PHP 216,000.00				
	TOTAL ABC =Php 516,000.00				
	PROCUREMENT OF COMPUTER TABLES AND CHAIRS FOR BSIS COMPUTER LABORATORIES USE- TALISAY/N. MONDERO				
	PR# 23-600-1023 10-23-23				
	INCOME 402-164-23-10 10-18-23				

Released (BAC) _____ Date _____ By _____
 Returned (Supplier) _____

 Printed Name/Signature

 Tel. No./Cellphone No.

 Date

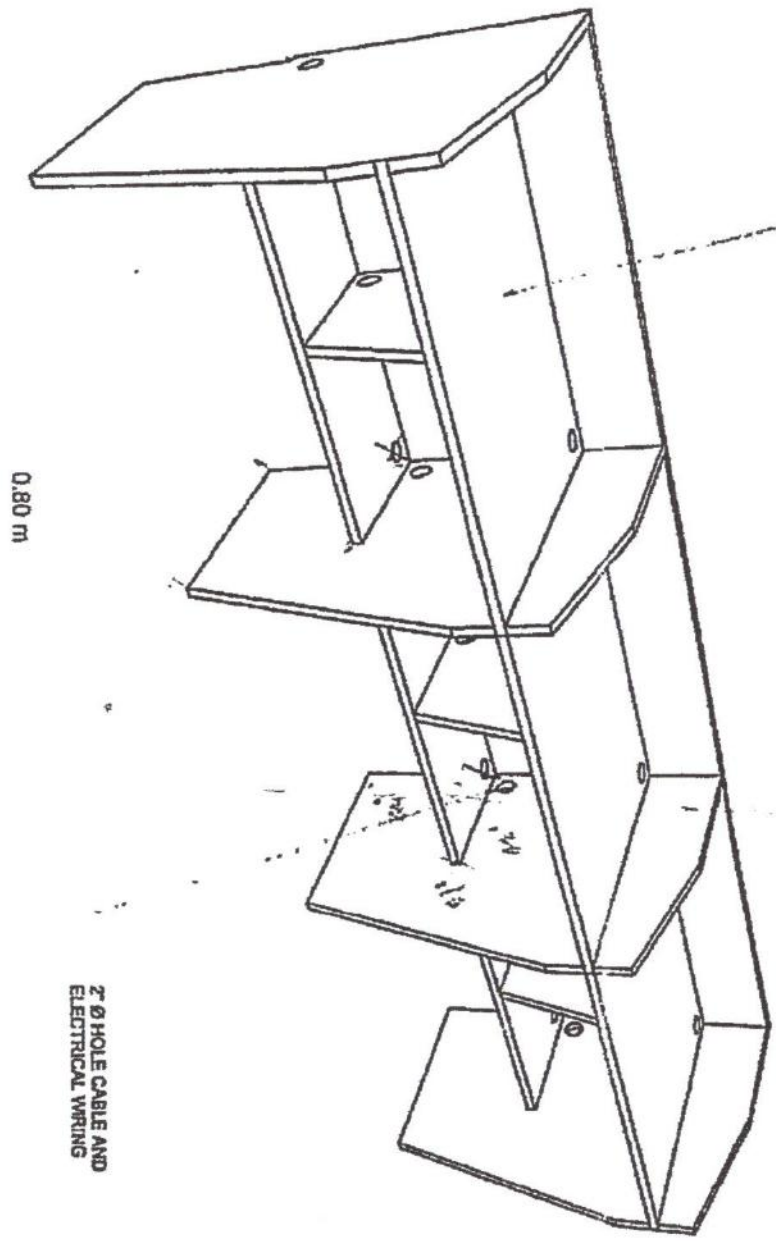
Handwritten scribbles or marks in the top left corner.



218
0.75 m
0.15 m

HIGH PRESSURE LAMINATED SHEETS
(HPL) TABLE TOP

0.15 m
0.50 m
0.90 m
0.75 m



0.80 m

2.40 m

2" Ø HOLE CABLE AND
ELECTRICAL WIRING